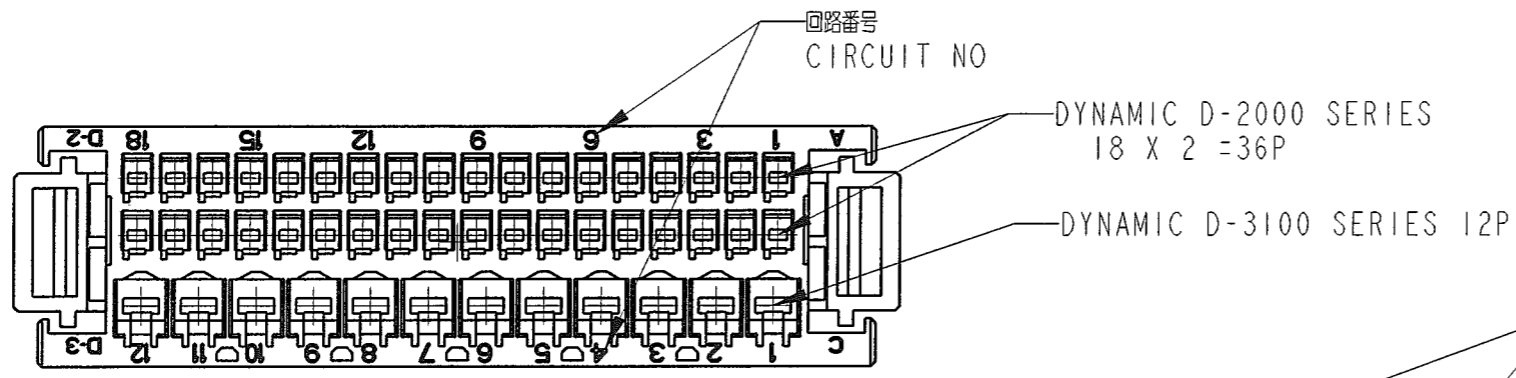
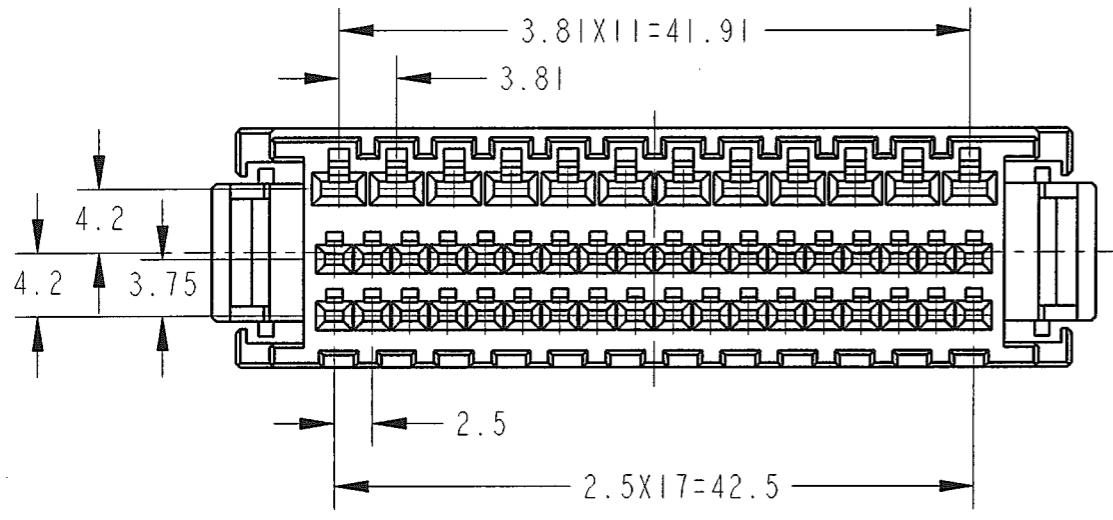
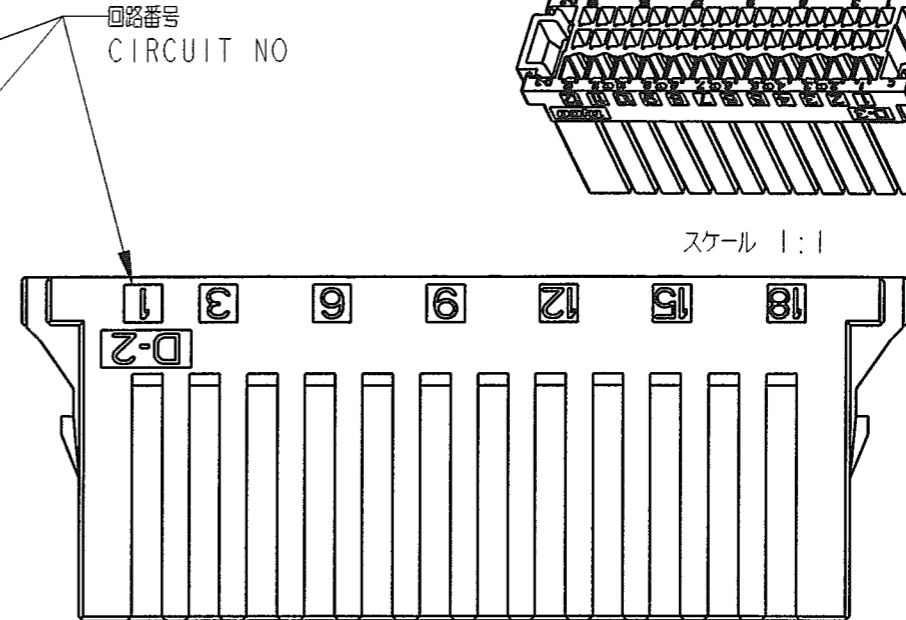
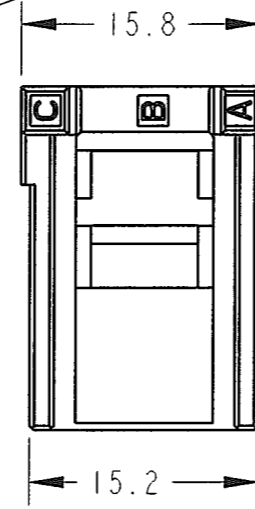
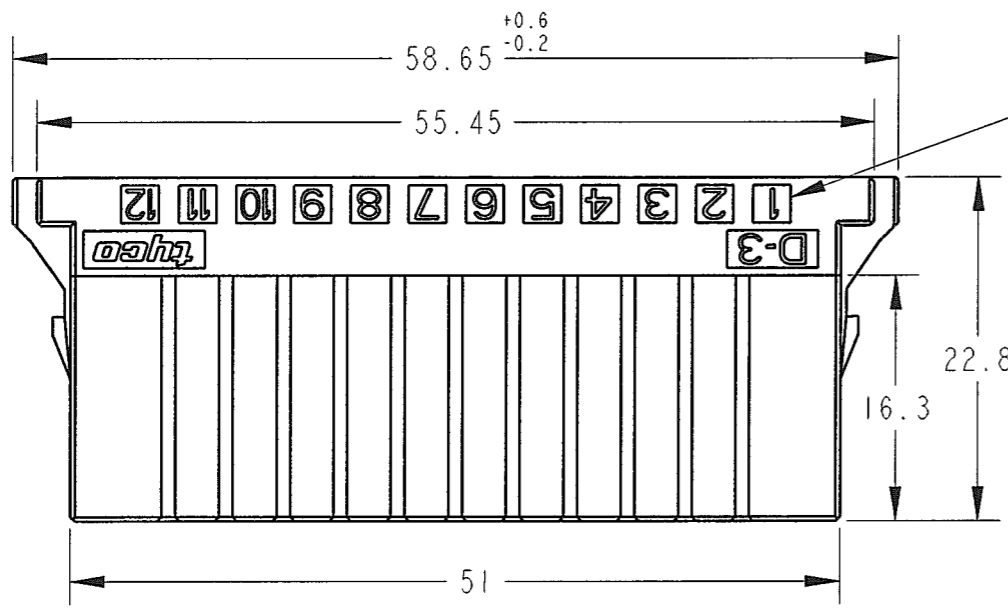
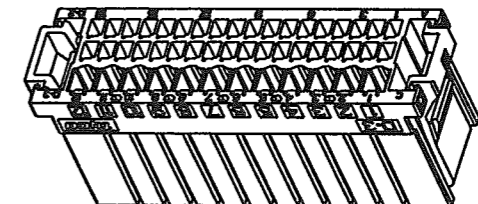


LOC	DIST	REVISIONS			
P	LTR	DESCRIPTION	DATE	DWN	APVD
J	-	A	RELEASED	15 Sep '05	T.S DM



AS SHOWN: 1827540-1



注記  
1. 材料: カラス入り熱可塑性ポリエステル樹脂  
色: 黒色

NOTE  
1. MATERIAL: GLASS FIELD THERMO PLASTIC, POLYESTER  
COLOR: BLACK

<small>THIS DRAWING IS A CONTROLLED DOCUMENT FOR TYCO ELECTRONICS CORPORATION IT IS SUBJECT TO CHANGE AND THE CONTROLLING ENGINEERING ORGANIZATION SHOULD BE CONTACTED FOR THE LATEST REVISION.</small>		DWN 15. SEP. 2005 CHK T. Sakamoto	<b>tyco</b> Electronics Tyco Electronics AMP K.K. Kawasaki, Japan	
DIMENSIONS: mm	TOLERANCES UNLESS OTHERWISE SPECIFIED: 0 PLC ±- ±0.3 1 PLC ±- ±0.3 2 PLC ±- ±0.3 3 PLC ±- ±0.3 4 PLC ±- ±0.3 ANGLES ±- ±-	APVD <i>D. Sakamoto</i> 15 Sep '05 PRODUCT SPEC 108-78301 APPLICATION SPEC 114-5258 (D-2 Series) 114-5148 (D-3 Series)	NAME HYBRID REC HSG 48P <DYNAMIC D-2600 SERIES>	
MATERIAL -	FINISH -	WEIGHT -	SIZE A3 CAGE CODE 00779 DRAWING NO C=1827540	RESTRICTED TO -
CUSTOMER DRAWING			SCALE 2:1	SHEET 1 OF 1 REV A